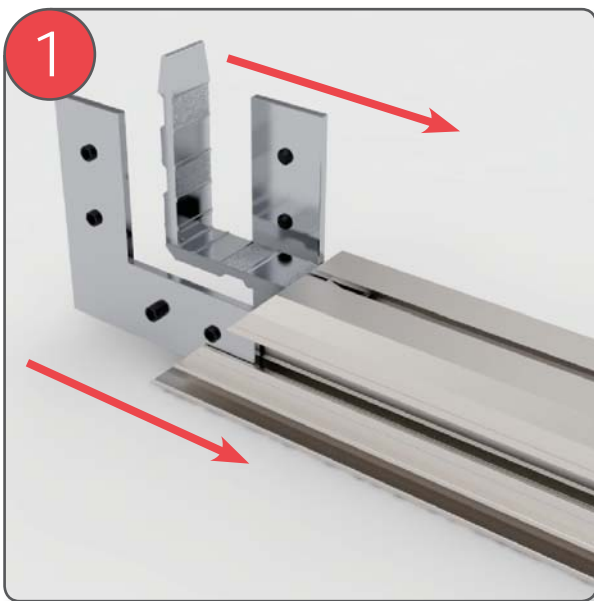


Easi Frame

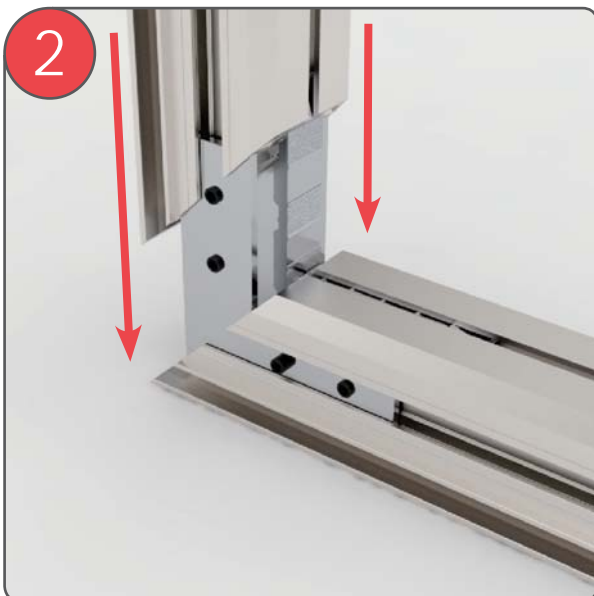
Double Sided

The Double Sided Easi Frame is an aluminium frame consisting of aluminium lengths, L-shaped corner brackets, internal corner brackets, straight brackets (where needed), feet (where needed), and a fabric skin with silicone edge. This guide will show you the steps needed to construct the frame and also the correct technique for inserting the fabric skin.



Step 1

Each corner required 2x L-shaped corner brackets and 1x internal corner bracket. Slide them into the frame.



Step 2

Slot the next frame piece into the three corner components, making sure that they all line up with the correct slots.

Note: Do not tighten the corner bracket screws yet. This can make it difficult to get the other sides in.

Easi Frame Double Sided



Step 3

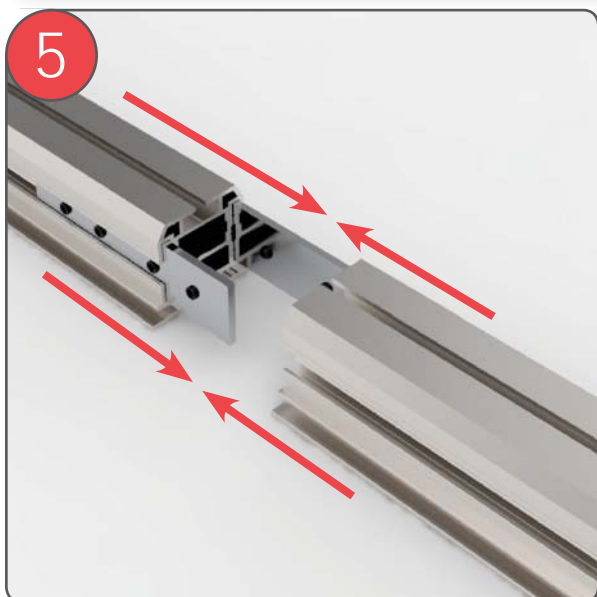
Make sure that the two frame pieces meet at a point with no gaps between them. Repeat this step for all 4 corners.



Step 4

Once you have all of the corner brackets in place tighten them with an Alan Key (supplied).

Note: Be sure not to overtighten the screws as this may cause damage.



Step 5 (not required on all frames)

Slide both straight brackets into the end of the aluminium frame. Then slide the other piece of frame onto the brackets. Before tightening the screws, make sure that the brackets are evenly centred.

Easi Frame

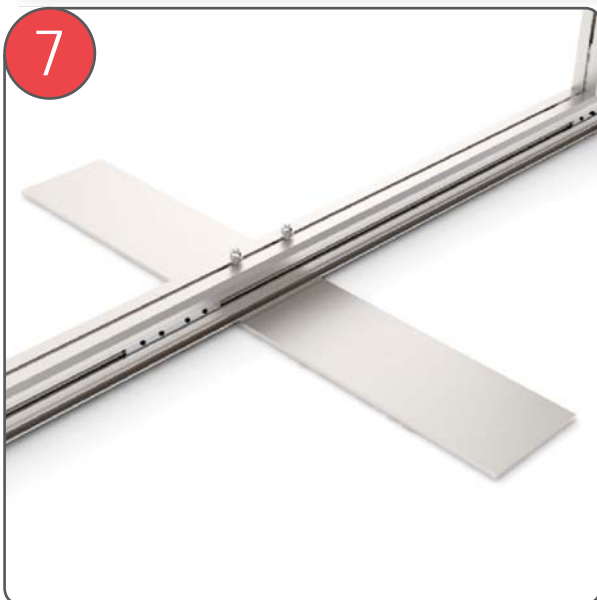
Double Sided



Step 6 (freestanding frames only)

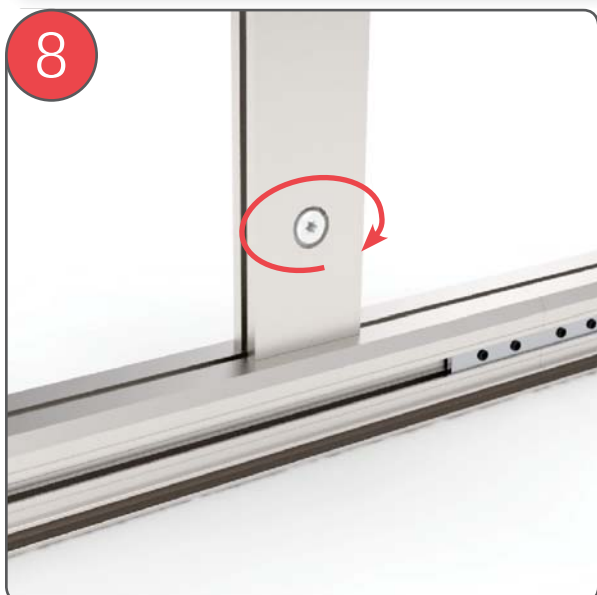
For freestanding frames with feet, put the bolts through the bottom of the foot then through the pre-drilled holes in the frame. Next, put the washer, spring-washer and nut on the bolt and tighten.

Note: Be sure not to overtighten the bolts as this may cause damage.



Step 7 (freestanding frames only)

Your foot should now look like this. Repeat Step 6 for all other feet.



Step 8 (straight joint frame only)

Frames with straight joints often have middle supports to add strength. Slot the middle support into the frame and lock it in by tightening the clamp with a large, flat screwdriver.

Note: Put the middle support close to the join.

Easi Frame Double Sided



Step 9 (Inserting the fabric skin)

To install the fabric skin correctly start by inserting the silicone edge with fabric into the four corners. Then firmly insert the middle sections before inserting the remaining fabric. Please refer to the diagram below.

